

Contact

Company:

Name:

Address:

Address:

Phone:

E-mail:

Internet:

Please send us your request form via E-mail to **vertrieb@lupold.de** or by fax to **+49 (0)7454 - 944-169**.

We will gladly contact you.

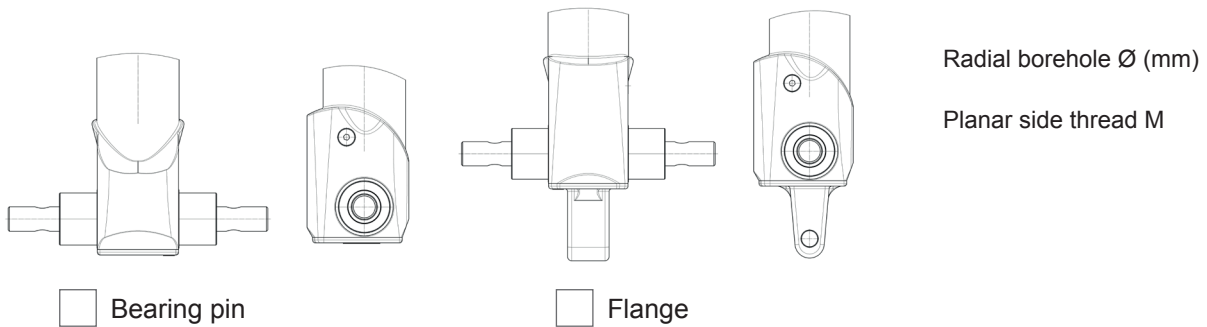
Basis parameters

- | | |
|-----------------|------------------------------|
| 1. Stroke | mm ± 2 mm |
| 2. Thrust power | kN |
| 3. Load | kN |
| 4. Radial force | kN (conditionally permitted) |

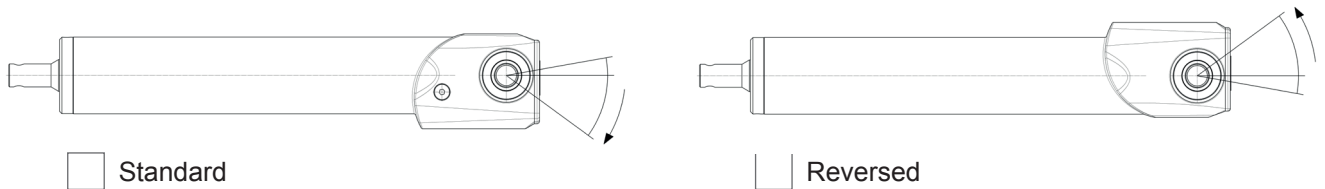
Installation of the turn-shaft actuator

1. Installation housing

2. Installation piston rod



Installation / actuation direction



Installation angle retracted °

Installation angle advanced °

Setback control

Standard lowering throttle

Descent time: sec. at load N

Higher load = faster lowering speed

setback control

descent time: sec.

Higher load = almost constant lowering speed

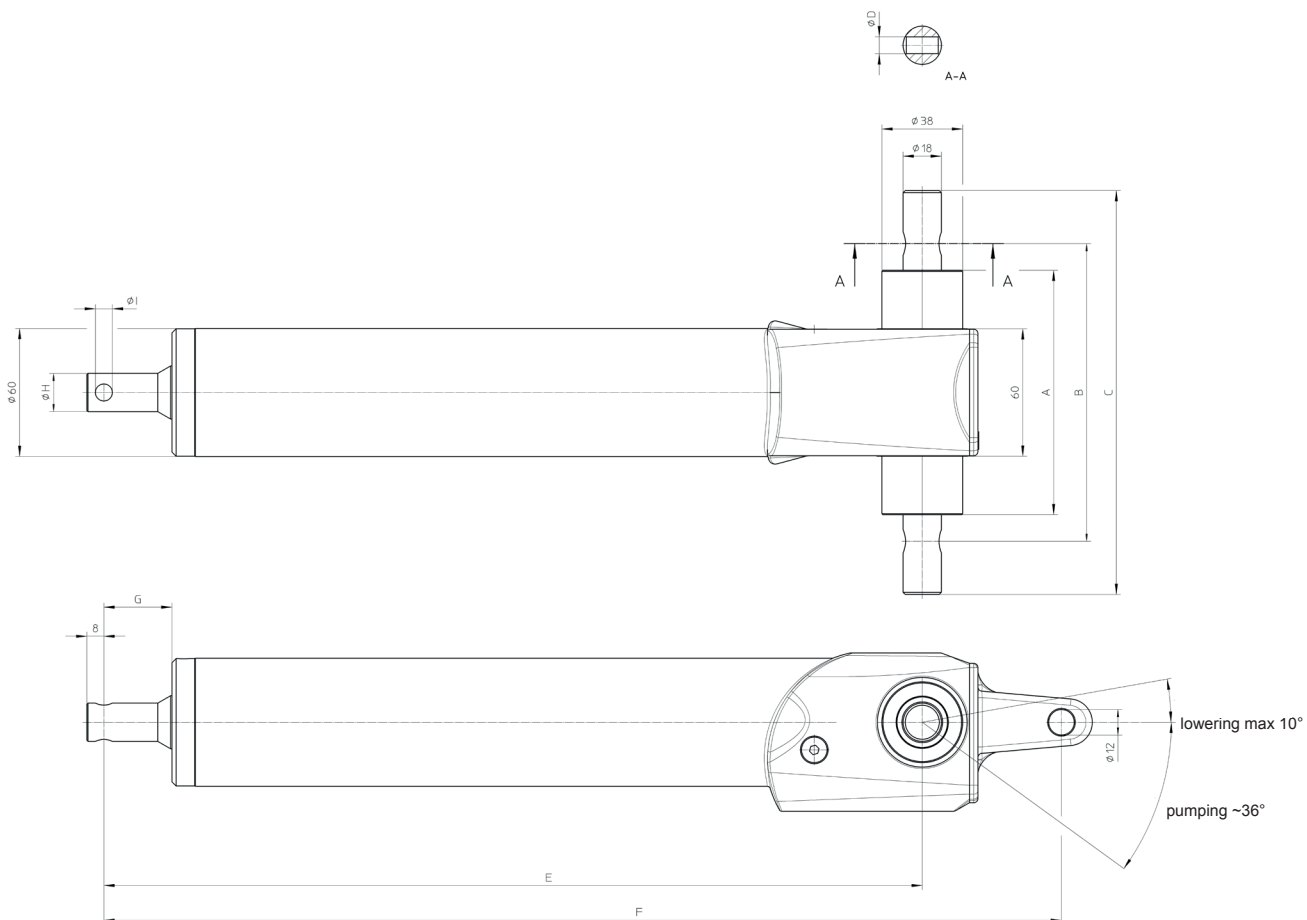
Corrosion protection

Painting RAL:

Special requirements:

Dimensions

1. Dimension A	90 mm	110 mm	Special dimension	mm
2. Dimension B	140 mm	Special dimension	mm	
3. Dimension C	190 mm	Special dimension	mm	
4. Dimension D	Ø 8 mm	Special dimension	mm	
5. Dimension E		mm		
6. Dimension F		mm	only flange version	
7. Dimension G		mm		
8. Dimension H Ø		mm		
9. Dimension I Ø		mm		
10. Profile A-A borehole position		as shown	90° rotated	
		Special dimension	in °	



Miscellaneous

Branch:

Application:

Single charge
regular charge

pcs.
pcs./year

